

NEMA 4X - ENCLOSURE  
19" RACKMOUNT - 25U HEIGHT  
WALL MOUNT

**STAINLESS STEEL**

**ENCLOSURE MATERIAL**

- 304 STAINLESS STEEL (S4) AIR CONDITIONER (OPTION)
- 316 STAINLESS STEEL (S6) REF. TO PAGE 2

**CORROSION PROTECTION PACKAGE**

- EXTERIOR PASSIVATION (STANDARD)
- INTERIOR/EXTERIOR PASSIVATION (OPTION)
- NOT REQUIRED (ON REQUEST ONLY)

**POWDERCOAT COLOR**

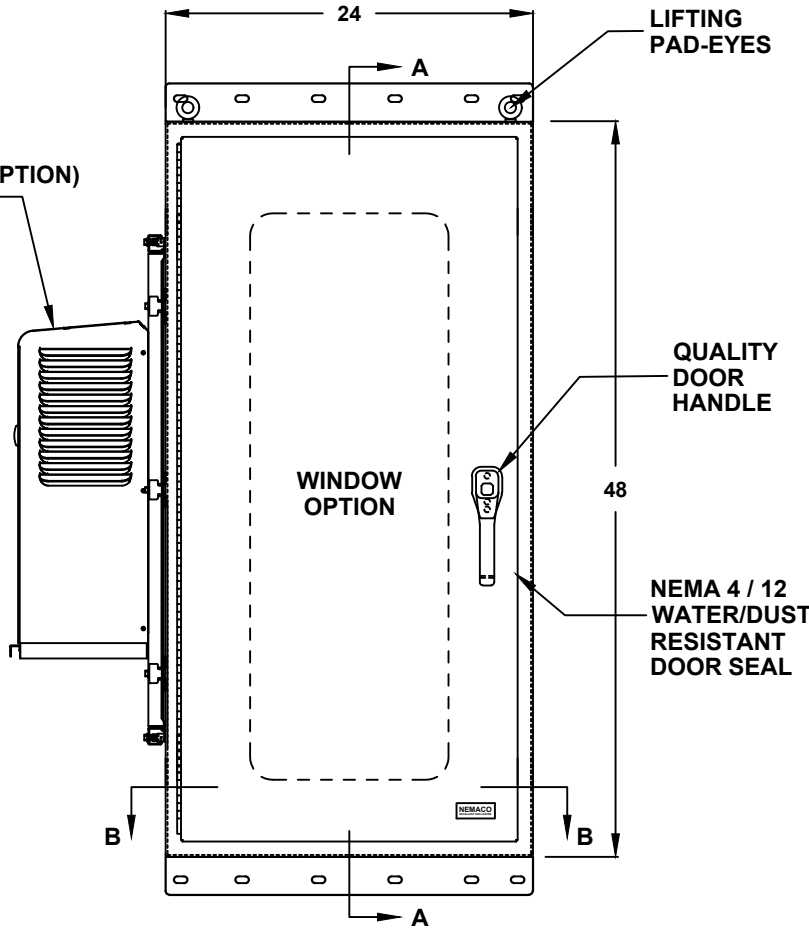
- WHITE
- LIGHT GRAY ANSI 70
- DARK GRAY ANSI 61
- BLACK
- CUSTOM \_\_\_\_\_

**ENCLOSURE CONSTRUCTION**

- 14 GA THK.
- 12 GA THK.

**ENCLOSURE DOOR HINGE**

- CONTINUOUS PIANO HINGE (STANDARD)
- REMOVABLE LIFT OFF HINGE



FRONT VIEW



FILE NUMBER: E507642

**LIFTING EYES**

- WELDED PADEYES (STANDARD)
- REMOVABLE PADEYES

**\*WINDOW OPTIONS**

- TINTED WINDOW
- TEMPERED GLASS
- NOT REQUIRED

**DOOR HANDLES**

- PADLOCK PROVISION (STANDARD)
- KEYLOCK (OPTION)

**WALL BRACKET (OPTIONS)**

- WALL TABS (STANDARD)
- HEAVY DUTY BRACKETS
- POLE MOUNT BRACKETS

\*NOTE: UL & NON-UL OPTIONS AVAILABLE

ALL DIMENSIONS ARE ESTIMATED IN INCHES AND MAY VARY DUE TO SELECTED OPTIONS.

COMPANY NAME \_\_\_\_\_

APPROVED (PRINTED NAME) \_\_\_\_\_

SIGNATURE \_\_\_\_\_ DATE \_\_\_\_\_

**48" H x 24" W x 30" D  
1 DOOR DESIGN**

A/C MATERIAL (EXTERIOR)

- 304 STAINLESS STEEL
- 316 STAINLESS STEEL
- OTHER \_\_\_\_\_

AIR CONDITIONER

- 1000 BTU
- 1500 BTU
- 2000 BTU
- 3000 BTU
- 4000 BTU
- 5000 BTU
- 6000 BTU
- 8000 BTU
- SPECIFY \_\_\_\_\_
- NOT REQUIRED

A/C VOLTAGE/ HZ

- 115 VOLTS
- 230 VOLTS
- 480 VOLTS
- 60 HZ
- 50 HZ
- 48 VDC (CS011 A/C ONLY)

A/C INTEGRATED HEATER

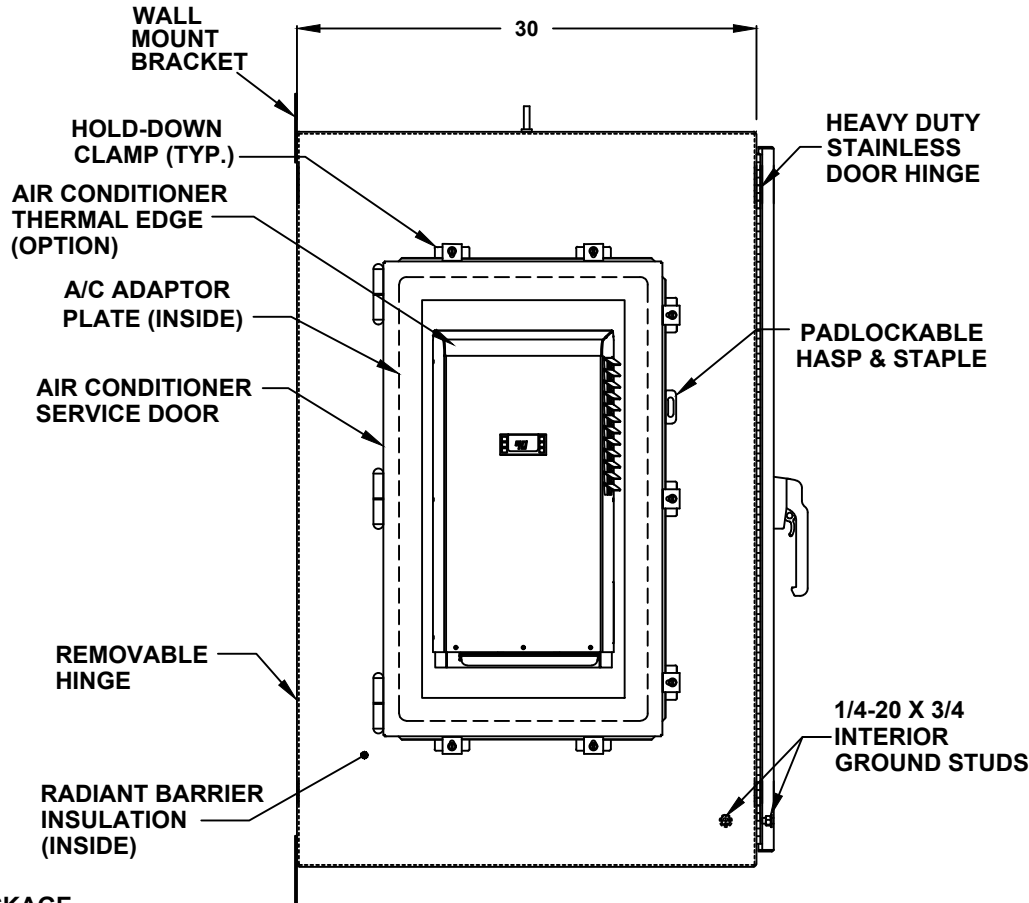
- 350 WATTS (CS011 A/C ONLY)
- 500 WATTS
- 1000 WATTS
- EXTERNAL HEATER

ADDITIONAL A/C OPTIONS

- CORROSION PROTECTION PACKAGE
- DRY CONTACT (OUTPUT SIGNAL)
- 2" DEEP FILTERS
- PROXIMITY SWITCH (ON/OFF)

AIR CONDITIONER- SCADA

- MOBUS RTU 485 (2 WIRE)  
REMOTE NETWORK  
ETHERNET CONNECTION
- MOBUS GATEWAY  
ADD-ON



LEFT SIDE

SUN REFLECTIVE SOLUTION

- TOP SUNSHIELD COVER

THERMAL SPECIFICATIONS

- OUTSIDE (AMBIENT) \_\_\_\_\_ °F
- INTERIOR TEMP. \_\_\_\_\_ °F
- HEAT LOAD (WATTS) \_\_\_\_\_
- SUN / SHADE \_\_\_\_\_

ENCLOSURE INSULATION

- 1/2 RADIANT BARRIER (STANDARD)
- 3/4 RADIANT BARRIER
- 1 RADIANT BARRIER
- NOT REQUIRED

A/C SERVICE DOOR

- INSTALL A/C SERVICE DOOR
- NOT REQUIRED

A/C SERVICE DOOR HINGE

- REMOVABLE HINGE
- CONTINUOUS HINGE

A/C ADAPTOR PLATE

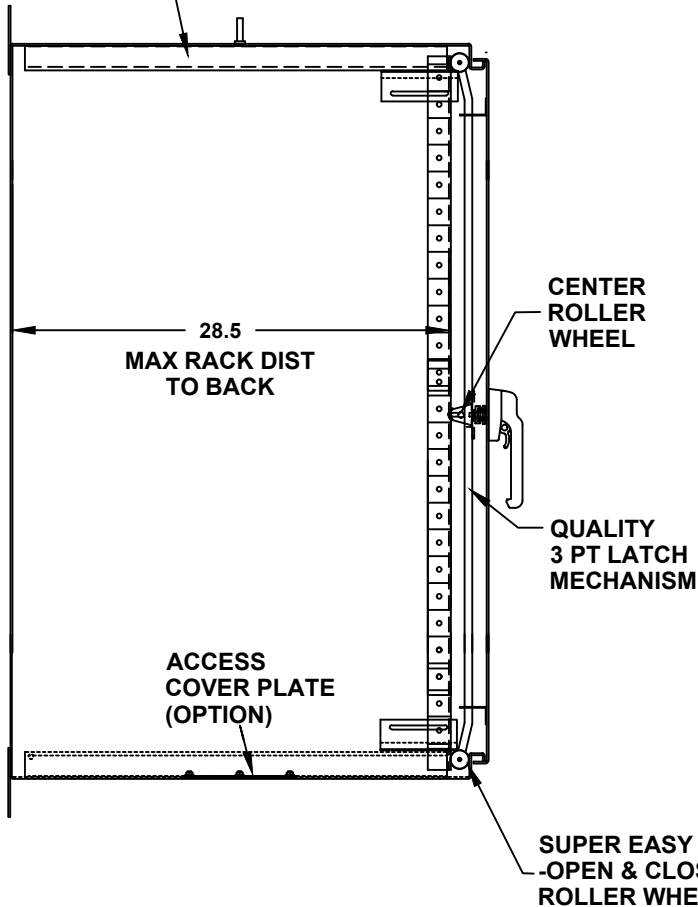
- INSTALL A/C ADAPTOR PLATE
- NOT REQUIRED

# 48" H x 24" W x 30" D 1 DOOR DESIGN

**RACK RAIL OPTIONS**

- BLACK CLIP NUTS, #10-32, (100 EA.)
- #10/32 HIGH POINT SCREWS (100 EA.)
- M6 CAGE NUTS

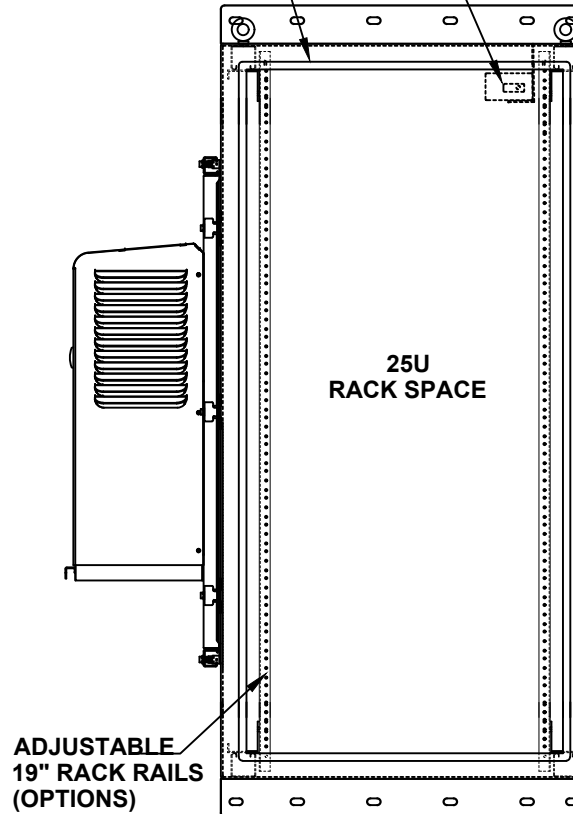
ADJUSTABLE  
SLIDING  
TRACK



**CROSS SECTION VIEW A-A**

CONTINUOUS  
RAIN GUTTER  
ON ALL 4 SIDES

DOOR SWITCH  
(OPTION)



**FRONT VIEW WITH DOOR REMOVED**

**DOOR OPTIONS**

- DOOR SWITCH
- PRINT POCKET

**DOOR SWITCH OPTIONS**

- 10A (STANDARD)
- 16A

**RACK RAIL POST**

- QTY 2 POST
- QTY 4 POST (REARDOOR REQUIRED)

**RACK RAIL MATERIAL**

- POWDER COATED STEEL (STANDARD)
- 304 STAINLESS STEEL

**RACK RAIL MOUNTING HOLES**

- #10-32 TAP (STANDARD)
- #1/4-20 TAP
- 3/8 SQUARE

**RACK RAIL TYPE**

- STANDARD GRADE
- HEAVY DUTY RAILS (OPTION)

**RACK SHELVES (OPTION)**

- STANDARD RACK SHELVES
- SLIDING RACK SHELVES
- RACK SHELF SUPPORT

**RACK DRAWERS (OPTION)**

- RACK DRAWERS
- LAPTOP DRAWERS

**OTHER OPTIONS**

- 19" RACK COPPER BUSBAR
- VERTICAL RACK PDU

# 48" H x 24" W x 30" D 1 DOOR DESIGN

**DOOR STOPPER**

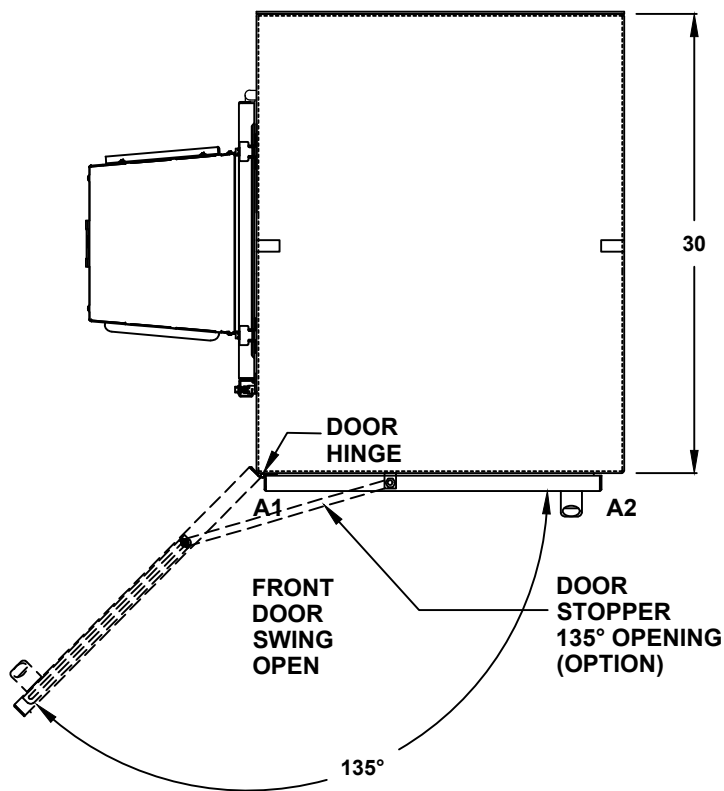
- INSTALL DOOR STOPPER
- NOT REQUIRED

**BASE ACCESS COVER PLATE  
(OPTION)**

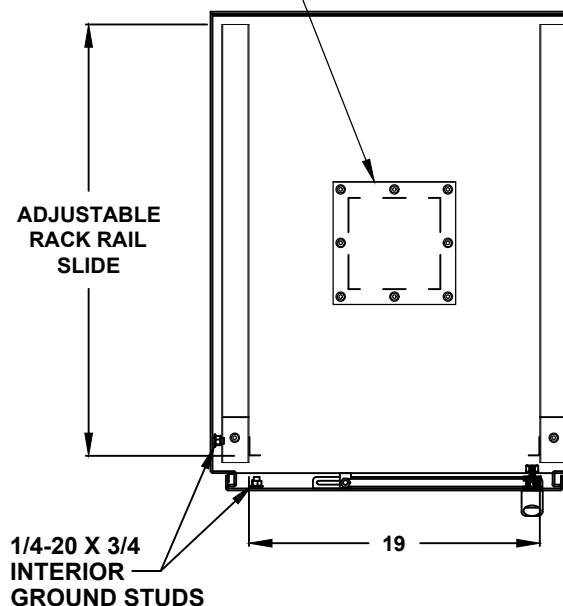
- 8x8 PLATE (6x6 CUT-OUT)
- 8x16 PLATE (6x14 CUT-OUT)
- 12x12 PLATE (10x10 CUT-OUT)
- 16x16 PLATE (14x14 CUT-OUT)

**SIDE ACCESS COVER PLATE MAT'L**

- POWDER COATED STEEL
- POWDER COATED ALUMINUM
- STAINLESS STEEL, 304



**TOP VIEW**



**TOP CROSS SECTION VIEW B-B**

**CONDUIT/CABLE SEAL OPTIONS**

- ROXTEC SEAL SOLUTION
- PIPE FITTING HUB
- CABLE GLAND

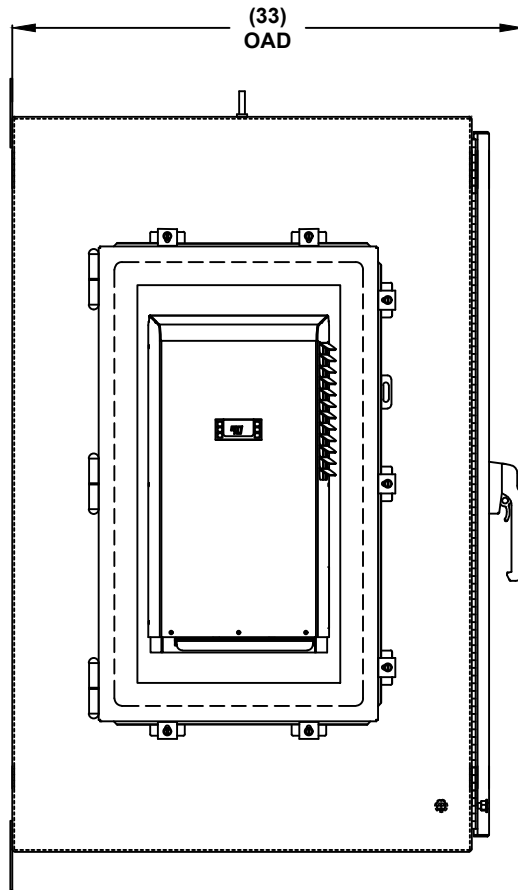
**QUAD OUTLET BOX  
ON 8x8 PLATE (OPTION)**

- ADD QUAD BOX
- NOT REQUIRED

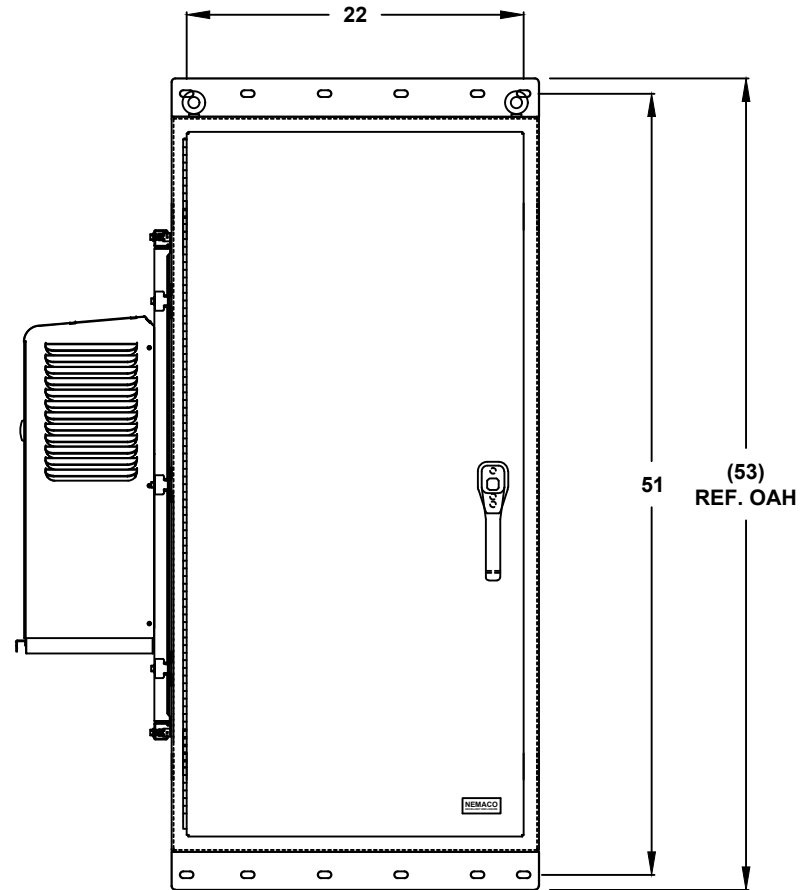
**OUTLET BOX AMP.**

- 15A
- 20A

# 48" H x 24" W x 30" D 1 DOOR DESIGN



LEFT SIDE



FRONT VIEW